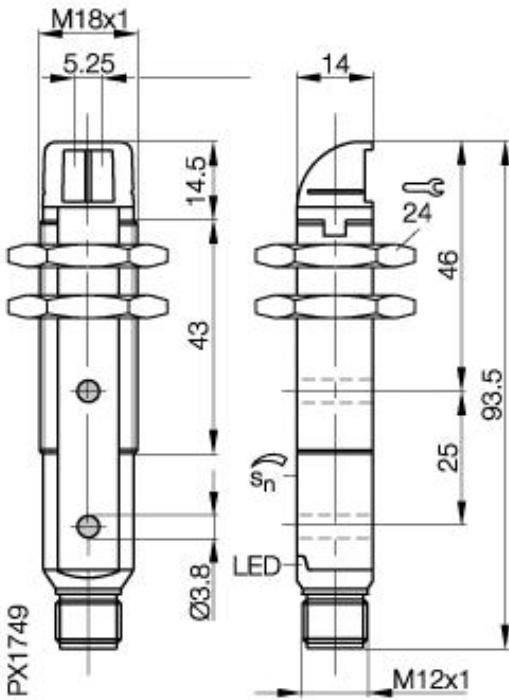


Photoelectric Sensor
BOS 18KW-PA-1LOB-S4-C
Sn=250mm
Diffuse



Common Data

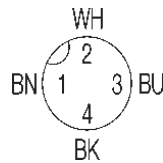
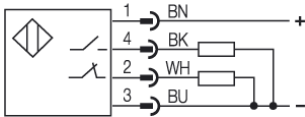
Series	18K
Sensortype	Diffuse
Switching frequency	1500 Hz
Rated operating distance Sn in mm	250
asured operating distance Sa	0...250mm
Indication Switching element on	yes, yellow LED
Indication Special funktion	LED green Stability indicator
Ambient temperature	-10...+50°C
On-delay	0,33ms
Off-delay	< 0,8ms
Light class 1	Laser, red, 650nm, Protection
Sensitivity Adjustment	Poti 270°
Diameter of active zone	approx.0,5mm at 150mm
Output function	light-on or dark-on

Mechanical Data

Measurements	M18x93,5
Shock	Halfsinus, 30gn, 11ms
Vibration	10...55Hz, 1,5mm Amplitude 3x2h
Housing material	PBT
Material of sensing face	PMMA
Degree of protection	IP67
Connection	Connector S4 (M12)
Weigth	25g
Recommended connector	BKS-S20-8

Electrical Data

Current	DC
Switching function	NO/NC
Output	PNP
Rated operational voltage Ue	24V DC
Rated operational current Ie	100mA
Supply Voltage	10...30V DC
Ripple	< 10% from UB
Frequency of Supply Voltage	DC
No-load supply current	<35mA
Voltage drop	<2V
Short protection	yes
Protected against polarity reversal	yes



Utilization categories
 Insulation class

DC 13

Datasheet number:

Definitions see general catalog.
 If not otherwise noted, ratings according to
 IEC 60947-5-2 (DIN EN60947-5-2)

Balluff GmbH
 Schurwaldstrasse 9
 73765 Neuhausen a.d.F.
 Phone (07158) 173-0 Fax (07158) 5010

Datenblatt by CD-ROM - 04/2007

